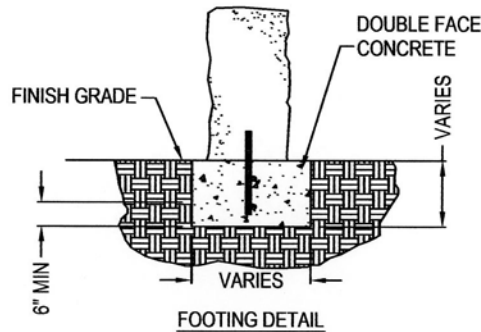
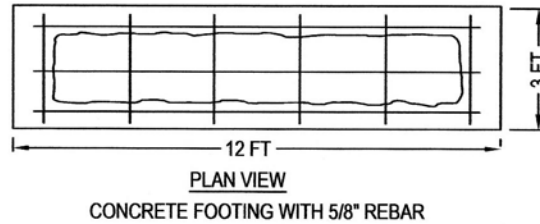
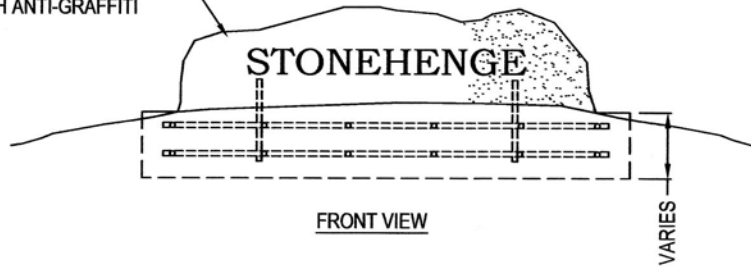




STONEHENGE SIGNS INC.

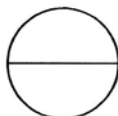
STONEHENGE SIGNS, INC.
PO BOX 387
QUINCY, CA 959741
PHONE: (530) 249-6000
www.stonehengesigns.com

APPROX 10' X 4" X 1' LIGHT
GRAY GRANITE MONUMENT
SIGN WITH ANTI-GRAFFITI
FINISH



NOTES:

1. THIS INSTALLATION PROCEDURE SHOULD BE CONSIDERED IF THE SIGN IS DOUBLE SIDED OR IT IS NOT LARGE ENOUGH TO BURY BELOW GRADE.
2. THE STONE WILL BE SECURED TO CONCRETE WITH REBAR FOR STABILITY .5" DIAMETER, 6" INTO STONE AND 12" INTO FOOTING
3. BID SHALL INCLUDE DELIVERY AND INSTALLATION INSTRUCTIONS TO BE COMPLETED BY THE CONTRACTOR ON SITE.
4. SHOP DRAWING APPROVAL REQUIRED PRIOR TO INSTALLATION.
5. INSTALLATION TO BE COMPLETED IN ACCORDANCE WITH MANUFACTURER'S SPECIFICATIONS.
6. ALL DIMENSIONS ARE CONSIDERED TRUE AND REFLECT MANUFACTURER'S SPECIFICATIONS.
7. DO NOT SCALE DRAWING.
8. THESE DRAWINGS ARE NOT FOR CONSTRUCTION PURPOSES AND ARE FOR INFORMATION PURPOSES ONLY. ALL INFORMATION CONTAINED HEREIN WAS CURRENT AT THE TIME OF DEVELOPMENT BUT MUST BE REVIEWED AND APPROVED BY THE PRODUCT MANUFACTURER TO BE CONSIDERED ACCURATE.



INSTALLATION DETAILS

CONCRETE WITH REBAR

PROTECTED BY COPYRIGHT © 2013